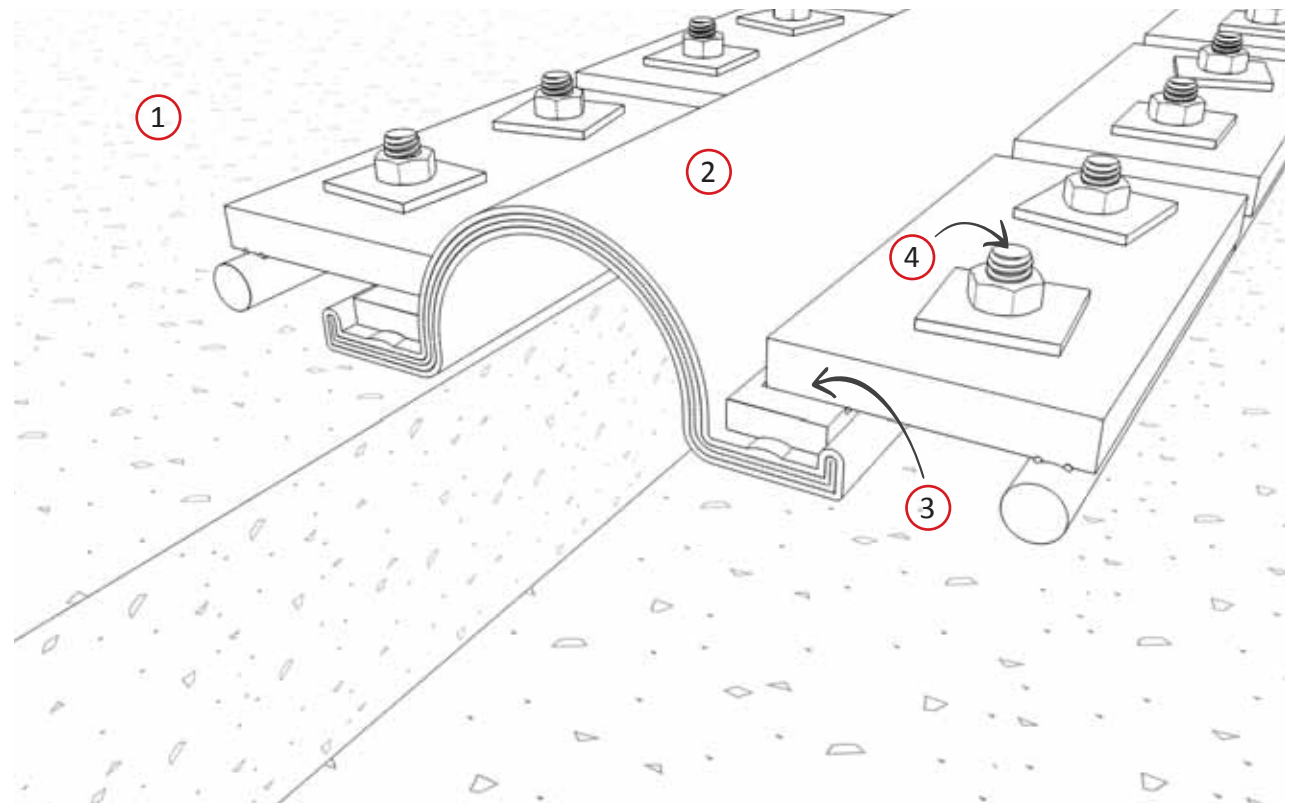


# OmegAtec

seal expansion joints for submersed structures,  
immersed and bored tunnels, aqueducts and similar projects

## Typical Components

- (1) Substrate
- (2) Continuous central seal incorporating triple layer nylon reinforcement
- (3) Galvanised steel clamp
- (4) Anchor bolts

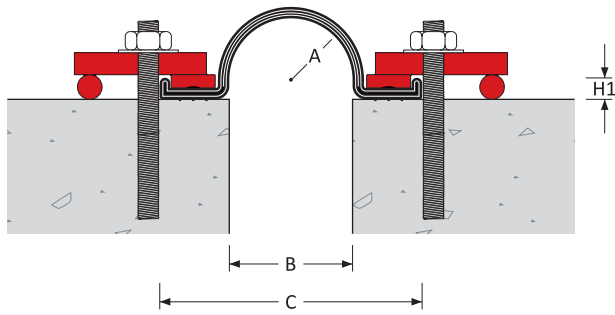


## SEAL EXPANSION JOINT

Concrete to Concrete | Steel to Steel

50 - 250 mm ( 2 - 10" ) Expansion Gaps

# OmegAtec 1300 : A01



### Expansion Joint Selection Criteria

### Load Rating

### Product Details

Joint Location	Gap Width B(mm)	Movement Capacity (mm)		Water Pressure		Product Dimensions				
		±	[Total]	Seal Fully Open Mpa	Seal Fully Closed Mpa	Height H1 (mm)	Stud Fixing (mm)	Radius A (mm)	Width C (mm)	Product Number
Concrete-Concrete Steel - Steel	50	+40/-30	[70]	0.75	1.75	13	M24	25	210	1300-A01-050
	80	+60/-40	[100]					40	240	1300-A01-080
	100	+70/-50	[120]	0.50	1.20			50	260	1300-A01-100
	140	± 70	[140]					70	300	1300-A01-140
	200	± 90	[180]	0.30	0.80		M30	100	360	1300-A01-200
	250	± 100	[200]	0.25	0.75			18	120	410

## Features

### Surface

Omega-type seal

### Movement

High movement capacity

ASTM E-1399 Class I: Thermal  
Class II: Wind  
Class III: Seismic

## Traffic Frequency per day



- - - - -

## System Options

Gap width(s)	50, 80, 100, 140, 200, 250 mm
Height(s)	13, 18 mm
Metal type(s)	Galvanised Steel clamping system
Colour(s)	Black
Fire barrier	120-240 minutes
Waterproofing	Max. water pressure 1.75 MPa
Pre-assembly in factory	Contact Vexcolt

# OmegAtec 1300 : A01



## APPLICATIONS

Immersed Tunnels  
Bored Tunnels  
Aqueducts  
Roads & Bridges  
Submersed Structures

## SEAL EXPANSION JOINT

Concrete to Concrete | Steel to Steel

50 - 250 mm ( 2 - 10" ) Expansion Gaps

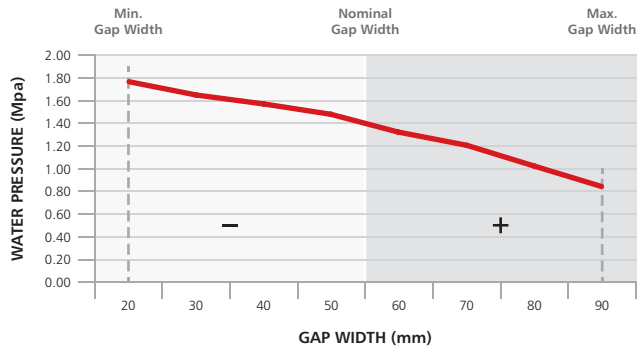
# OmegAtec 1300 : A01

## Water Pressure Capacity vs Seal Movement Range

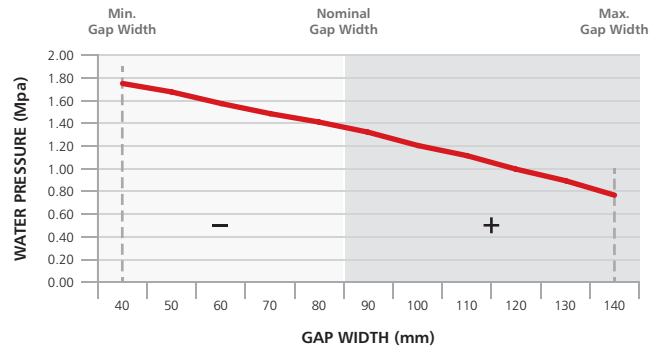
All **OmegAtec 1300 : A01** seals are formed with three layers of nylon reinforcement as standard.

The minimum water pressure Factor of Safety is 3.0.

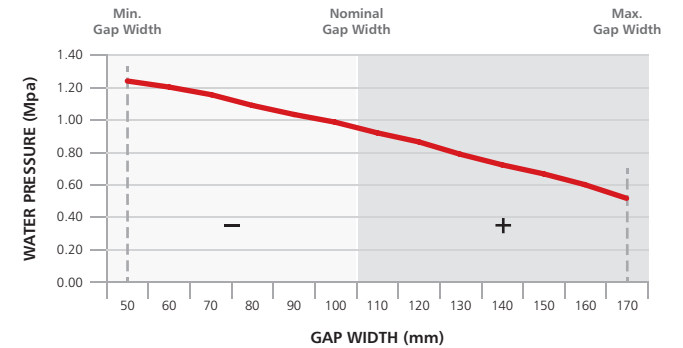
### OmegAtec 1300 : A01-050



### OmegAtec 1300 : A01-080

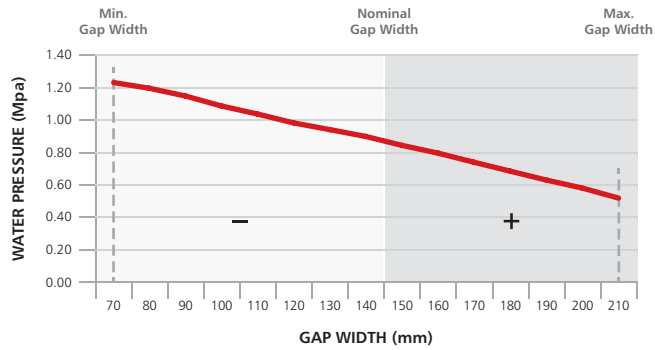


### OmegAtec 1300 : A01-100

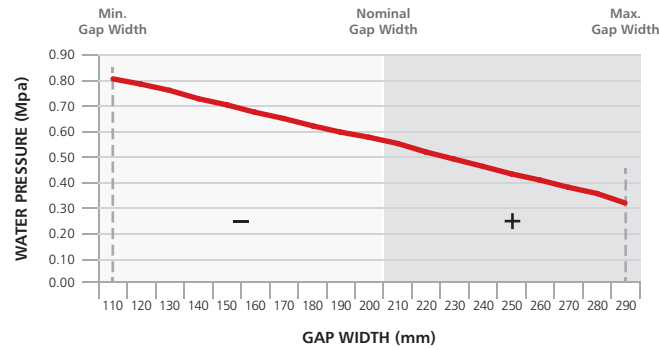


# OmegAtec 1300 : A01

**OmegAtec 1300 : A01-140**



**OmegAtec 1300 : A01-200**



**OmegAtec 1300 : A01-250**

