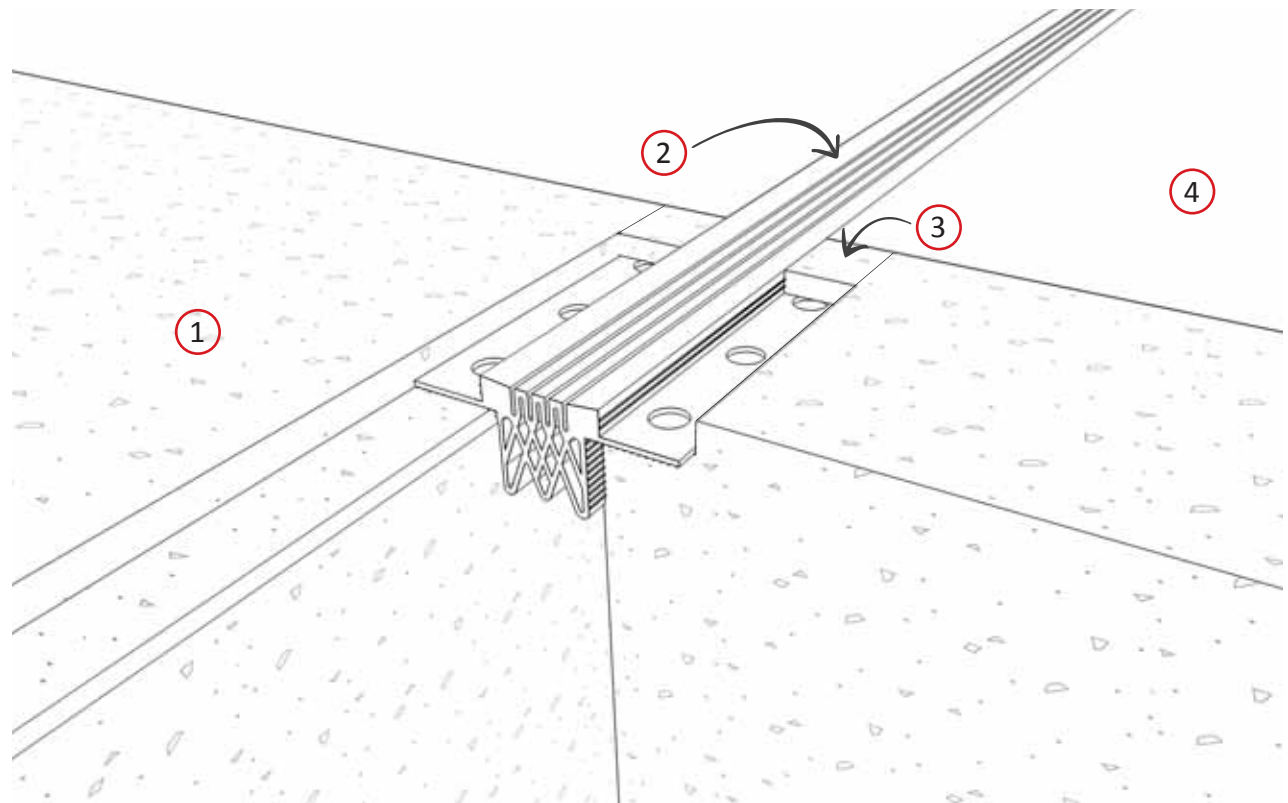


FlexAtec

seal expansion joints for podiums, parking decks, elevated roadways and other structures subject to vehicle loads

Typical Components

- (1) Concrete slab with rebate (by others)
- (2) Continuous seal
- (3) High-strength backfill
- (4) Finishes

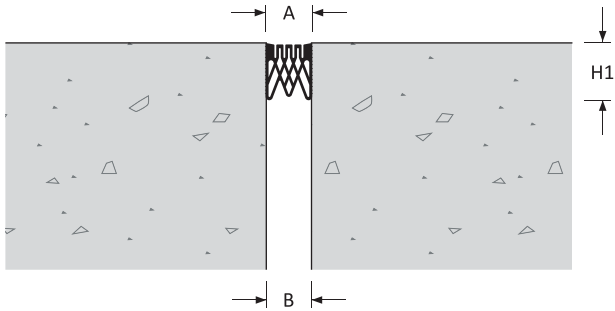


SEAL EXPANSION JOINT

Floor to Floor to Wall | Wall to Wall

25 - 75 mm (1 - 3") Expansion Gaps

FlexAtec 1200 : A01



Expansion Joint Selection Criteria

Load Rating

Product Details

| Joint Location | Gap Width B(mm) | Movement Capacity (mm) | | Eurocode Rating | | | | Product Dimensions | | | | Product Number |
|----------------|-----------------|------------------------|---------|-----------------|-------|-------|---|--------------------|---------|-----------|----------|----------------|
| | | ± | [Total] | | | | | Height | | Sightline | Blockout | |
| | | | | | | | | H1 (mm) | H2 (mm) | A (mm) | C (mm) | |
| Floor - Floor | 25 | ± 7 | [15] | - | | | | 55 | | 25 | | 1200-A01-025 |
| Floor - Wall | 50 | ± 15 | [30] | - | 31 kN | 30 kN | - | 64 | - | 50 | - | 1200-A01-050 |
| Wall - Wall | 75 | ± 25 | [50] | | | | | | | 75 | | |

Features


Surface

Ribbed surface for improved slip resistance
Americans with Disabilities Act (ADA) compliant
across the entire movement cycle

Movement

Good movement capacity
ASTM E-1399 Class I: Thermal
Class II: Wind

Traffic Frequency per day

| | | | | |
|---|---|---|---|---|
|  |  |  |  |  |
| > 25,000 | - | ≤ 10 | > 25,000 | - |

System Options

| | |
|-------------------------|---------------------|
| Gap width(s) | 25, 50, 75 mm |
| Height(s) | 55, 64 mm |
| Metal type(s): | None |
| Colour(s) | Black coloured seal |
| Fire barrier | 120-240 minutes |
| Pre-assembly in factory | Contact Vexcolt |



FlexAtec 1200 : A01



APPLICATIONS

Airport Terminals | Educational | Exhibition Centres
Department Stores | Distribution & Retail Warehouses
Factories | Hospitals | Museums | Offices & Hotels
Parking | Places of Worship | Residential Buildings
Rail, Metros & Elevated Rail Stations | Roads & Bridges
Shopping Centres | Sports Stadiums | Supermarkets